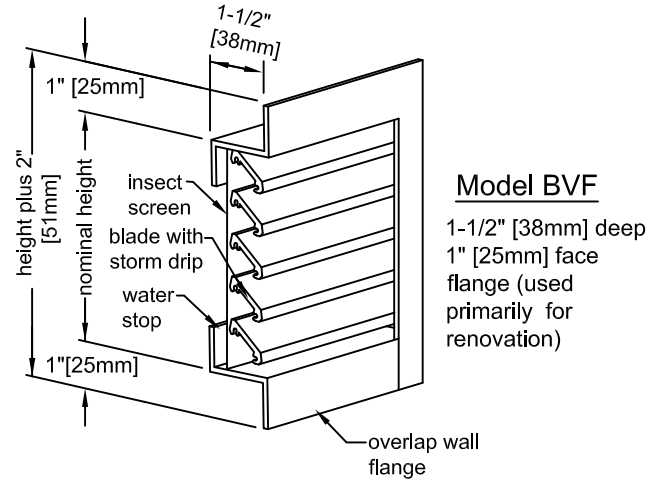
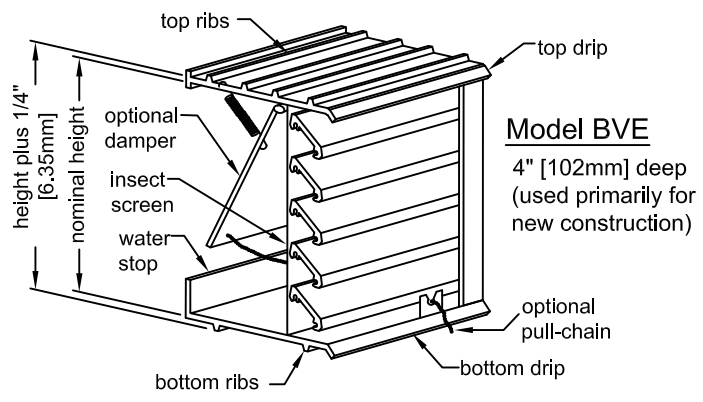


MODEL BVE/BVF EXTRUDED ALUMINUM BRICK VENTS



QTY.	BVE	BVF	MODEL	NOMINAL SIZE	FREE AREA (SQ. FT.)	OPTIONS
			825	8-1/8" X 2-3/8" [206mm x 60mm]	0.036	
			847	8-1/8" X 4-3/4" [206mm x 121mm]	0.082	
			808	8-1/8" X 7-3/4" [206mm x 197mm]	0.170	
			123	12" X 2-3/8" [305mm x 60mm]	0.056	
			125	12" X 4-3/4" [305mm x 121mm]	0.125	
			128	12" X 7-3/4" [305mm x 197mm]	0.236	
			1212	12" X 11-3/4" [305mm x 298mm]	0.351	
			157	15-5/8" X 7-3/4" [397mm x 197mm]	0.295	
			1516	15-5/8" X 15-3/4" [397mm x 400mm]	0.627	
			162	16-1/2" X 2-3/8" [419mm x 60mm]	0.078	
			164	16-1/2" X 4-3/4" [419mm x 121mm]	0.184	
			168	16-1/2" X 7-3/4" [419mm x 197mm]	0.313	
			1616	16-1/2" X 15-3/4" [419mm x 400mm]	0.664	
			242	24" X 2-3/8" [610mm x 60mm]	0.118	
			244	24" X 4-3/4" [610mm x 121mm]	0.259	
			248	24" X 7-3/4" [610mm x 197mm]	0.461	
			3208	32" X 7-3/4" [813mm x 197mm]	0.620	
			4808	48" X 7-3/4" [1219mm x 197mm]	0.938	

AVAILABLE FINISHES:

- Durable Polyester (AAMA 2604)
- 70% PVDF Fluoropolymer (AAMA 2605)
- Yellow Primer
- Clear Anodize
- Dark Bronze Anodize

STANDARD CONSTRUCTION:

Frame: Heavy gauge 6063T5 extruded aluminum, 0.125" [3.16mm] nominal wall thickness. Model BVE frame is 4" [102mm] deep with 0.125" [3.16mm] mortar ribs top and bottom (adding 0.25" [6.35mm] to nominal height). Model BVF frame is 1.50" [38mm] deep (fastener heads add 0.25" [6.35mm] to nominal width).

Blade: Heavy gauge 6063T5 extruded aluminum, 0.125" [3.16mm] nominal wall thickness. 45° blades overlap for optimum visual screening

Insect screen: 18 x 16 mesh aluminum insect screen

Finish: Clear Anodized

Sizes Available: Standard sizes shown above. (Consult factory for additional sizes.)

OPTIONS:

Single Blade Damper with stainless steel spring and stainless steel pull chain (Model BVE ONLY)

Straight Duct: 0.063" [1.60mm] aluminum (for up to 12" [305mm] wall thickness)

1/2" x 1/2" [13mm x 13mm] Alum. Expanded Screen (Other Screens Available)



3005 South Hickory Street
Chattanooga, Tennessee 37407
Tel: (423) 698-7715
Fax: (423) 698-6629
www.unitedenertech.com

MODEL BVE/BVF (Extruded Aluminum Brick Vents)

DRAWN BY:	DATE:	REV. DATE:	REV. NO.	APPROVED BY:	DWG. NO.:
MHM	4-27-10	4-25-13	2	BGT	A-40